

3. Upon information and belief, Defendant HSN, through its officers, agents and/or employees, transacts or is doing business in this District, including soliciting business in, shipping goods into this district, sales and derives substantial revenue from intrastate and interstate commerce, which has an effect in this district. Accordingly, venue is proper in this judicial district pursuant to 28 U.S.C. Section 1391(c) and 1400(b).

4. Upon information and belief, Defendant DUNEIER, through its officers, agents and/or employees, transacts or is doing business in this District, including soliciting business in, shipping goods into this district, sales and derives substantial revenue from intrastate and interstate commerce, which has an effect in this district. Accordingly, venue is proper in this judicial district pursuant to 28 U.S.C. Section 1391(c) and 1400(b).

5. Upon information and belief, Defendant DOE, through its officers, agents and/or employees, transacts or is doing business in this District, including soliciting business in, shipping goods into this district, sales and derives substantial revenue from intrastate and interstate commerce, which has an effect in this district. Accordingly, venue is proper in this judicial district pursuant to 28 U.S.C. Section 1391(c) and 1400(b).

The Parties

6. Plaintiff is a New York corporation having a principal place of business at 324 Route 202, Pomona, New York 10970.

7. Upon information and belief, HSN is a Delaware limited liability company having a principal place of business at 1 HSN Drive, St. Petersburg, Florida 33729.

8. Upon information and belief, DUNEIER is a New York company having a principal place of business at 415 Madison Avenue, New York, New York 10017.

9. Upon information and belief, DOE is an individual or legal entity, whose identification is currently unknown.

Facts

10. Plaintiff is the owner of all right, title and interest in and to the valid and subsisting U.S. Patent No. 6,789,395 for “Convertible Pendant Jewelry,” issued to William Molino, Igor Dranovsky and Mikhail Buryakov on September 14, 2004 (hereinafter “the ‘395 patent” or “the patent in suit”), a copy of which is attached hereto as Exhibit A.

11. Upon information and belief, HSN has infringed the patent in suit, in this district and elsewhere by making, using and selling and inducing others to use and sell a product called “The Convertible Necklace” (“Defendant’s Product”). A copy of Defendant’s Product is attached hereto as Exhibit B.

12. Upon information and belief, DUNEIER has infringed the patent in suit, in this district and elsewhere by making, using and selling and inducing others to use and sell a product called “The Convertible Necklace” (“Defendant’s Product”). A copy of Defendant’s Product is attached hereto as Exhibit B.

13. Upon information and belief, DUNEIER has offered for sale and sold Defendant’s Product to and/or through HSN.

14. Upon information and belief, DOE has infringed the patent in suit, in this district and elsewhere by making, using and selling and inducing others to use and sell a product called “The Convertible Necklace” (“Defendant’s Product”). A copy of Defendant’s Product is attached hereto as Exhibit B.

15. Upon information and belief, DOE has offered for sale and sold Defendant's Product to DUNEIER.

16. On or about April 12, 2005, a cease and desist letter was sent to HSN requesting that HSN discontinue all sales of Defendants' Products and account to Molino for past infringement.

17. Upon information and belief, on or about May 3, 2005, HSN ceased sales of Defendants' Product.

18. Upon information and belief, on or about April 14, 2006, HSN began selling Defendants' Product again.

19. On or about April 18, 2006, a second cease and desist letter was sent to HSN requesting that HSN discontinue all sales of Defendants' Products and account to Molino for past infringement.

Patent Infringement of U.S. Patent No. 6,789,395

20. Plaintiff repeats, re-alleges and incorporates by reference the allegations contained in paragraphs 1 through 19 as if fully set forth herein.

21. This is a claim for patent infringement, arising under the patent law of the United States, Title 35, United States Code, Sections 101 et seq.

22. Upon information and belief, Defendants have infringed one or more claims of the '395 patent, in this district and elsewhere, by making, using and selling and inducing others to use and sell Defendants' Product embodying the '395 patent.

23. On information and belief, Defendants' infringement has been with notice and knowledge of the '395 patent and is deliberate, willful and wanton.

24. By reason of the infringement by Defendants, Plaintiff has suffered damages in an amount to be ascertained upon an accounting.

25. By reason of the infringement by Defendants, Plaintiff has suffered irreparable harm for which there is no adequate remedy at law and will continue to suffer additional irreparable harm unless Defendants are permanently and perpetually enjoined from continuing their infringement.

WHEREFORE, Plaintiff prays for judgment:

- A. Finding the patent in suit valid and infringed by Defendants;
- B. Preliminarily and permanently enjoining Defendants, their employees, officers, directors, agents, servants and all others in privity from infringing the claims of the patent in suit as provided for in 35 U.S.C. Section 283;
- C. Ordering an accounting to assess and award damages to Plaintiff for Defendants' infringement of the patent in suit, and increasing the damages awarded to Plaintiff to three times the amount found by reason of Defendants' willful continuing infringement as provided for in 35 U.S.C. Section 284;
- D. Awarding Plaintiff its costs and reasonable attorney fees;
- E. Declaring this case exceptional by reason of Defendants' willful infringement and awarding Plaintiff its attorney's fees incurred in prosecuting this action as provided for in 35 U.S.C. Section 285; and
- F. Granting Plaintiff such other and further relief as this Court may deem just and proper.

DEMAND FOR JURY TRIAL

Trial by jury is hereby demanded as to all issues in this action so triable.

Date: July 2, 2007
New York, New York

/s/Gloria Tsui-Yip
Howard C. Miskin (HM7038)
Gloria Tsui-Yip (GT9377)
Attorneys for Plaintiff
STOLL, MISKIN & BADIE
350 Fifth Avenue, Suite 4710
New York, New York 10118
(212) 268-0900



US006789395B2

(12) **United States Patent**
Molino et al.

(10) **Patent No.:** **US 6,789,395 B2**
(45) **Date of Patent:** **Sep. 14, 2004**

(54) **CONVERTIBLE PENDANT JEWELRY**

(75) Inventors: **William Molino**, Valley Cottage, NY (US); **Igor Dranovsky**, New City, NY (US); **Mikhail Buryakov**, New City, NY (US)

(73) Assignee: **Molino Jewellers**, Pomona, NY (US)

(*) Notice: Subject to any disclaimer, the term of this patent is extended or adjusted under 35 U.S.C. 154(b) by 0 days.

(21) Appl. No.: **10/456,188**

(22) Filed: **Jun. 6, 2003**

(65) **Prior Publication Data**

US 2004/0020243 A1 Feb. 5, 2004

Related U.S. Application Data

(60) Provisional application No. 60/399,281, filed on Jul. 30, 2002.

(51) **Int. Cl.**⁷ **A44C 13/00**

(52) **U.S. Cl.** **63/1.16; 63/29.1; 63/31; 63/40**

(58) **Field of Search** **63/29.1, 31, 40, 63/23, 1.16, 1.17**

(56) **References Cited**

U.S. PATENT DOCUMENTS

770,573 A * 9/1904 Hacherelle 63/23
1,032,257 A * 7/1912 Walrow 63/23
D59,529 S * 10/1921 Weed D11/79

1,797,703 A * 3/1931 Sulger et al. 63/20
3,381,495 A * 5/1968 Emerson 63/33
4,034,573 A * 7/1977 Elkaim 63/31
D247,881 S * 5/1978 Hitchens D11/41
4,245,486 A * 1/1981 Matsumoto et al. 63/23
4,381,653 A * 5/1983 Diehl 63/33
4,461,158 A * 7/1984 Diehl 63/33
4,512,748 A * 4/1985 Matsumoto et al. 446/354
4,542,631 A * 9/1985 Esser, III 63/31
4,967,574 A * 11/1990 Bielka 63/23
4,970,878 A * 11/1990 Lee 63/23
6,070,435 A * 6/2000 Davidziak 63/23
6,082,139 A * 7/2000 Davidziak 63/23

FOREIGN PATENT DOCUMENTS

JP 2000106924 * 4/2000
JP 2000106924 A * 4/2000 A44C/25/00

* cited by examiner

Primary Examiner—Robert J. Sandy

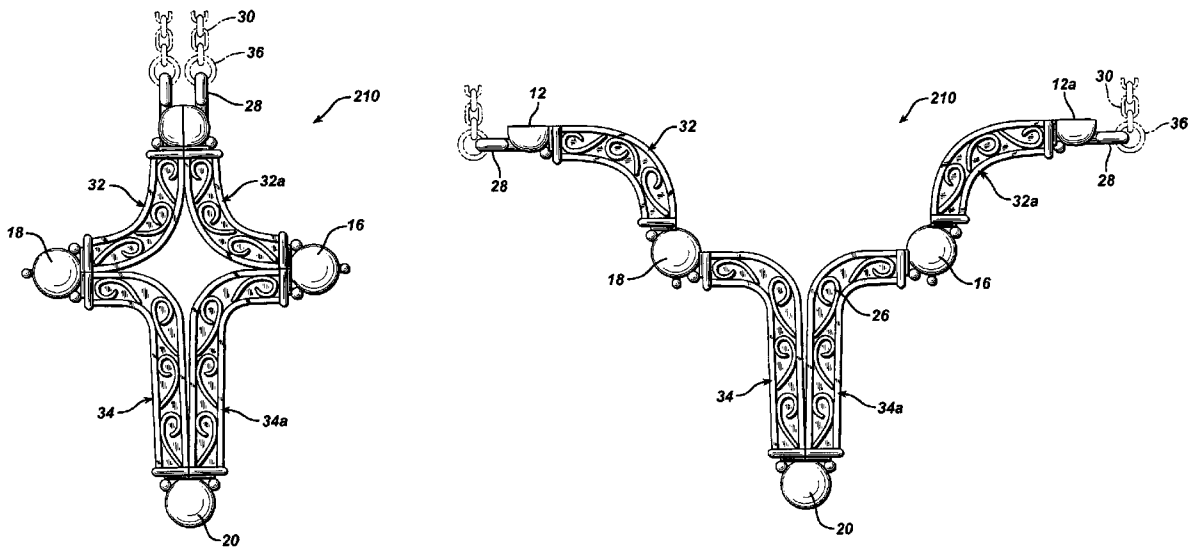
Assistant Examiner—Katherine Mitchell

(74) *Attorney, Agent, or Firm*—I. Zborovsky

(57) **ABSTRACT**

A pendant necklace having a chain and a pendant. The pendant can convert from a first closed configuration, such as a Star of David, heart, or cross, to at least one open configuration such that multiple decorative looks are available. The pendant comprises at least three elements which are pivotably connected, and the pendant elements are prevented from pivoting about each other to a predetermined angle by pivot stops so that the open configuration does not inadvertently go to the closed configuration when in the open configuration.

9 Claims, 16 Drawing Sheets



U.S. Patent

Sep. 14, 2004

Sheet 1 of 16

US 6,789,395 B2

FIG. 1

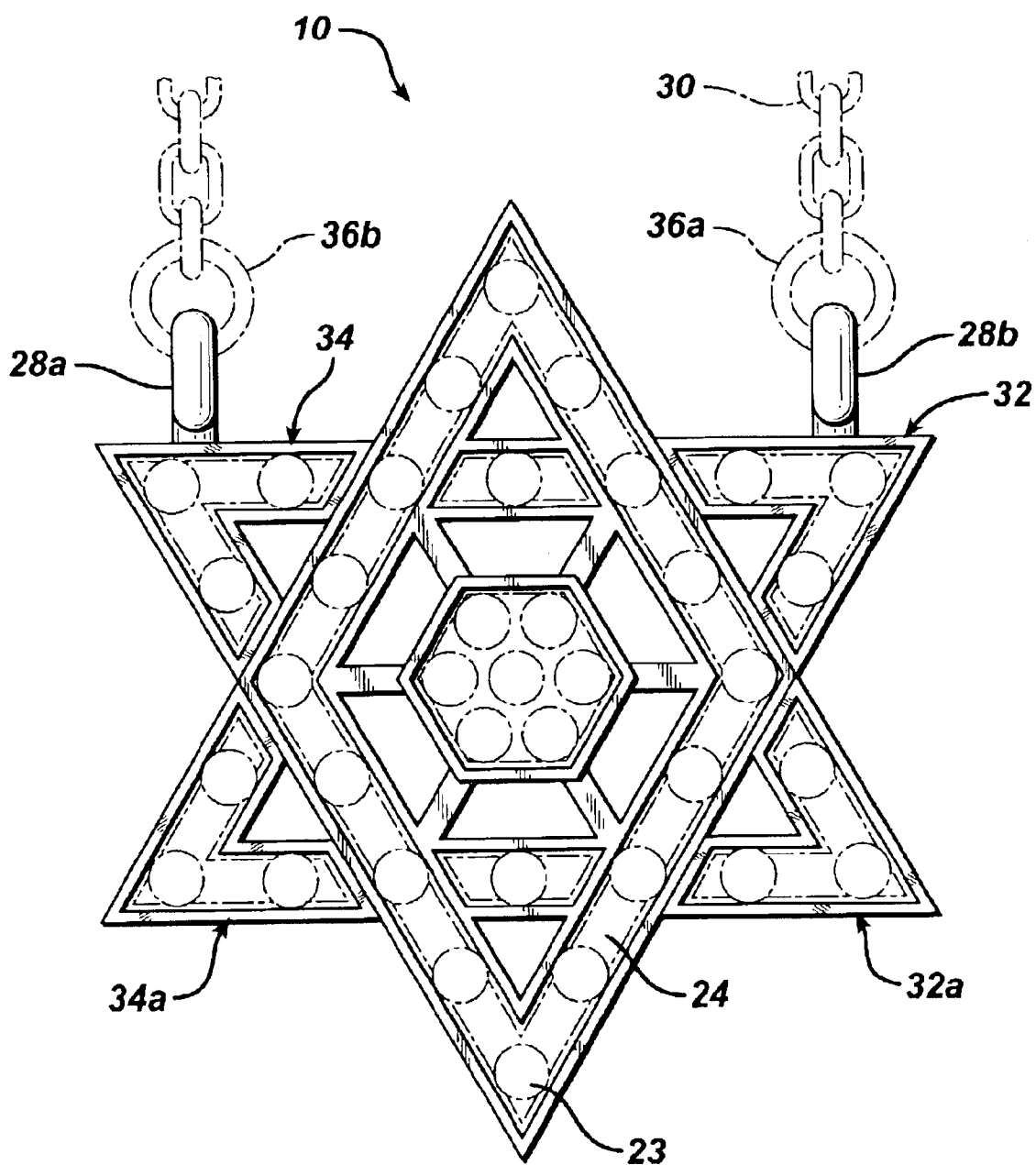


FIG. 3

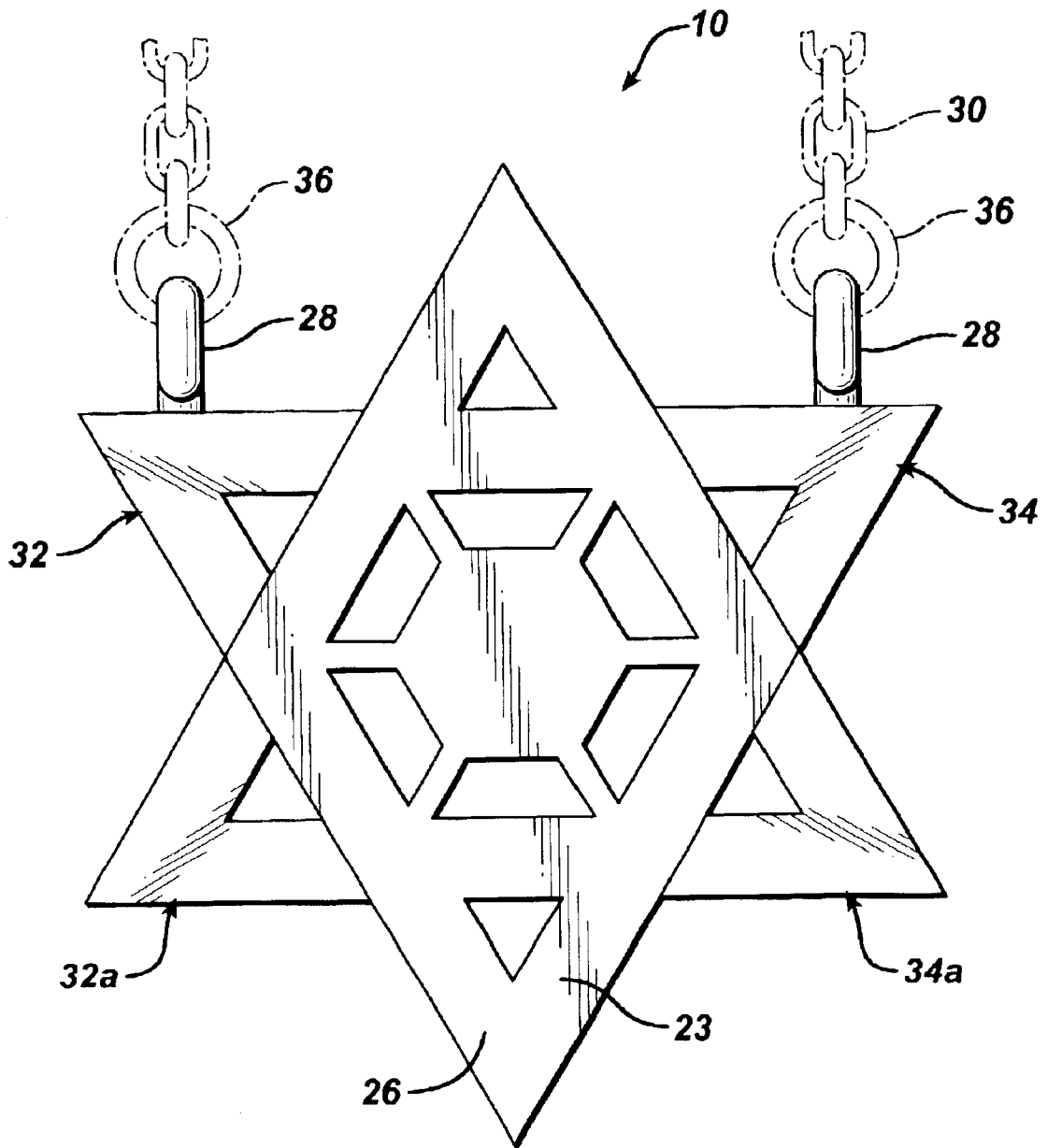
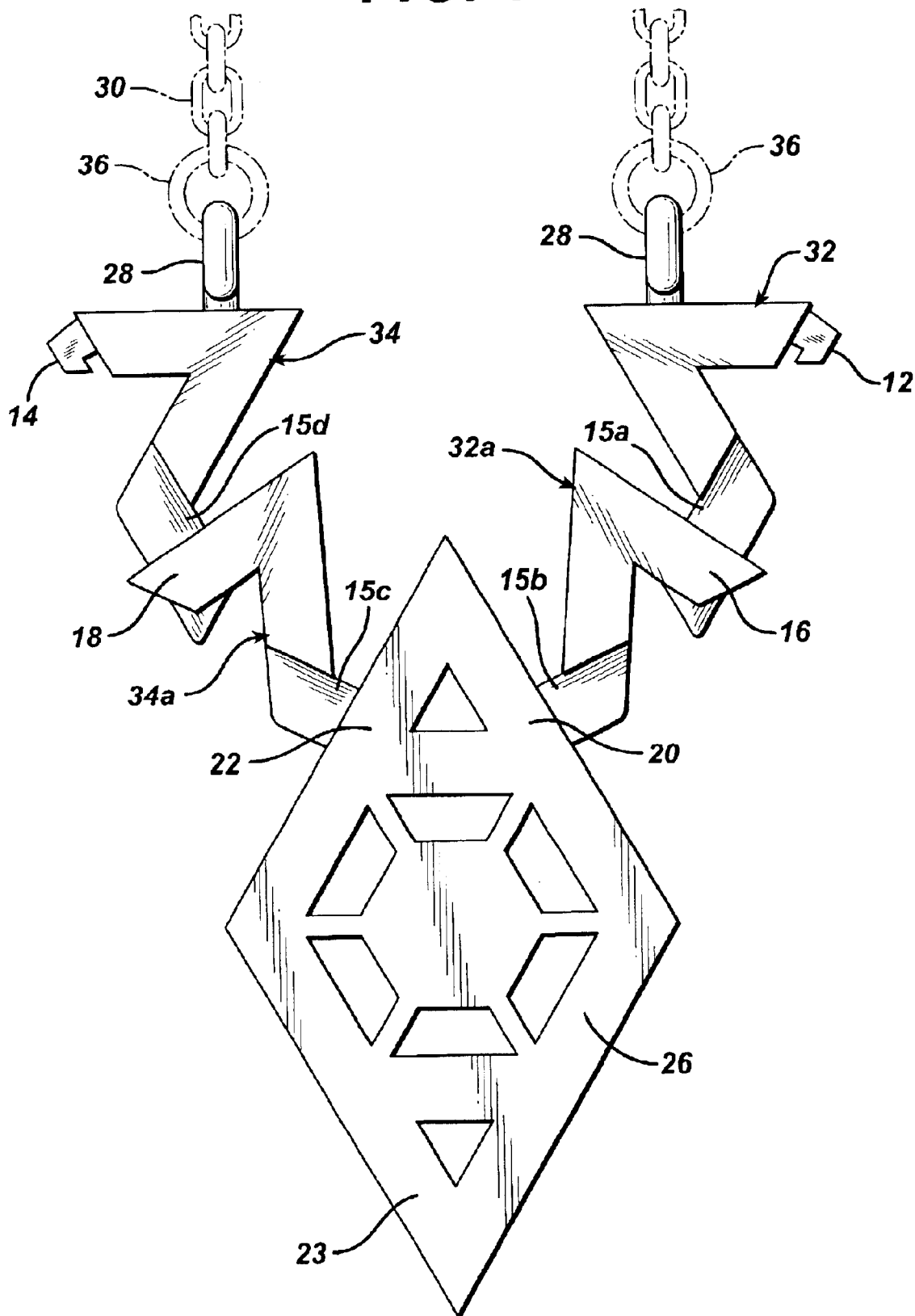


FIG. 4



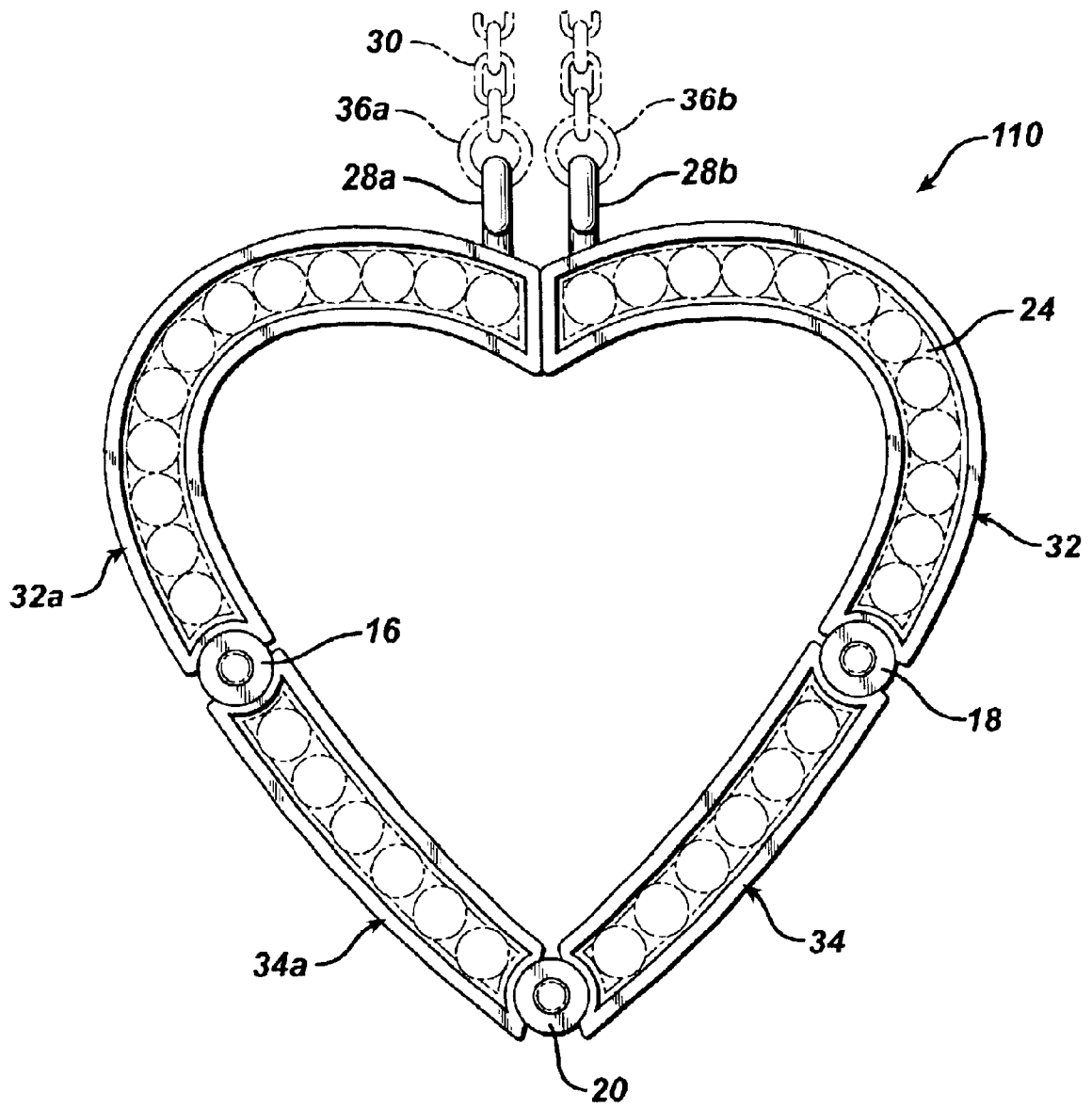
U.S. Patent

Sep. 14, 2004

Sheet 5 of 16

US 6,789,395 B2

FIG. 5



U.S. Patent

Sep. 14, 2004

Sheet 6 of 16

US 6,789,395 B2

FIG. 5a

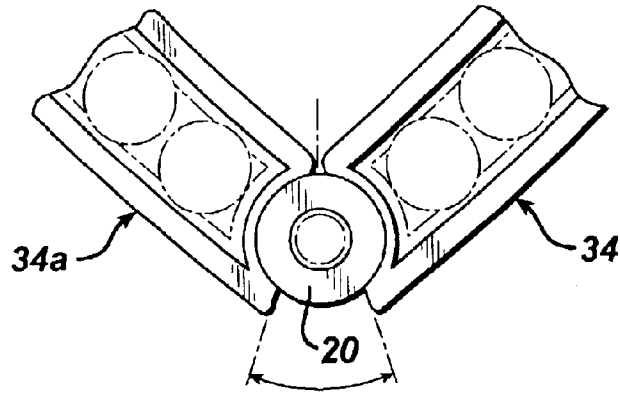


FIG. 5b

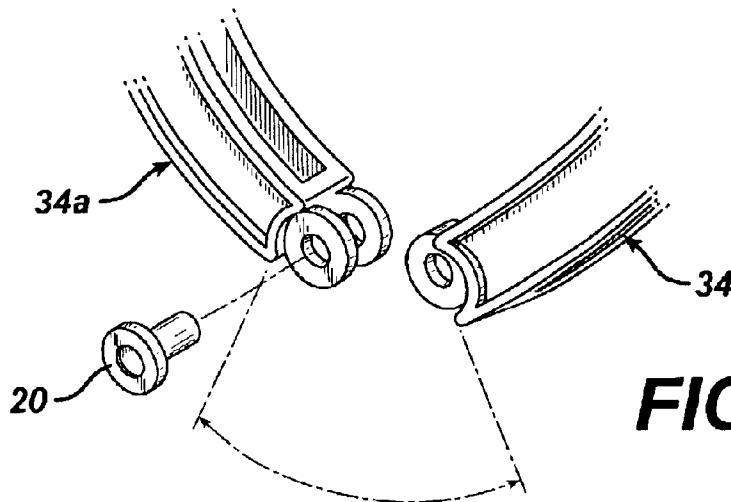
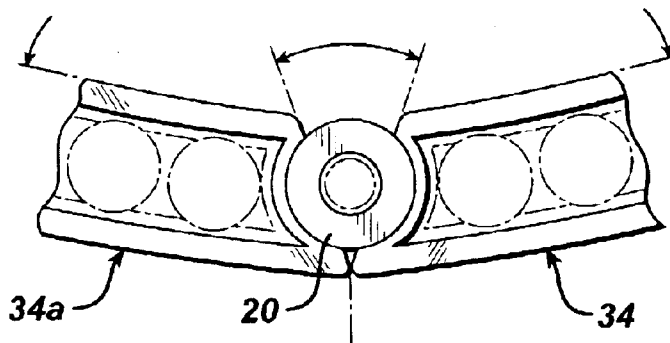


FIG. 5c

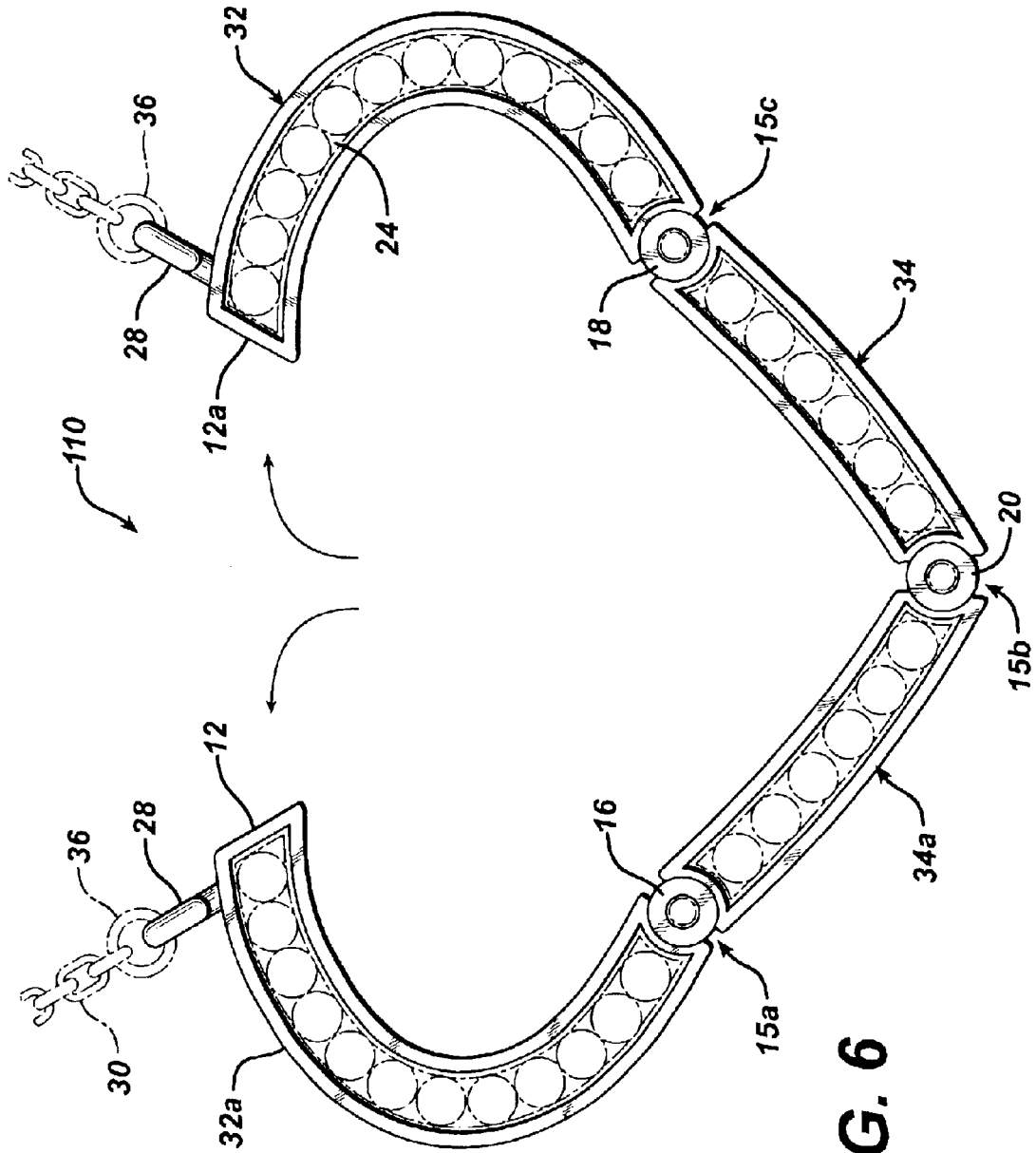
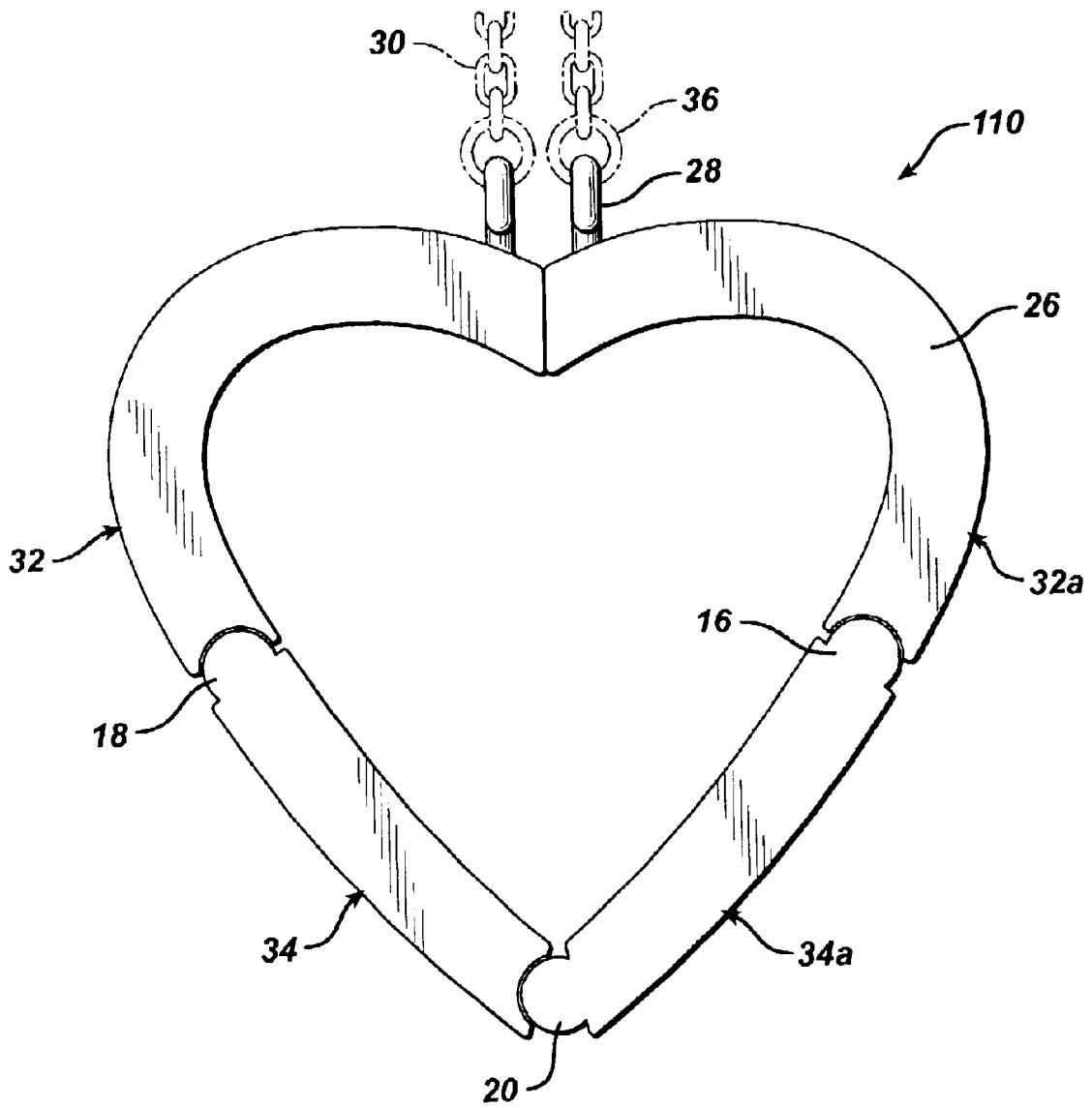


FIG. 7



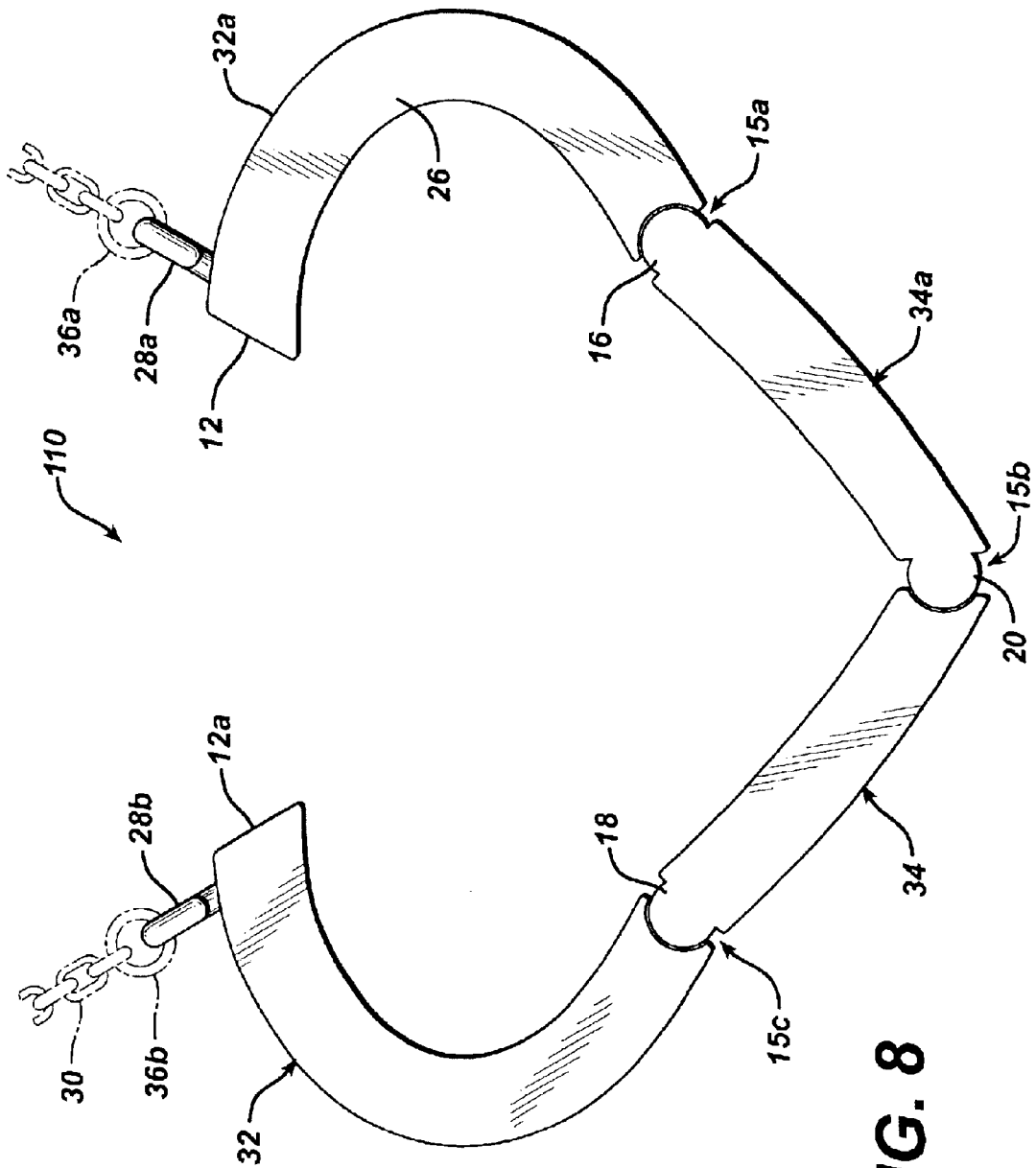


FIG. 8

FIG. 9

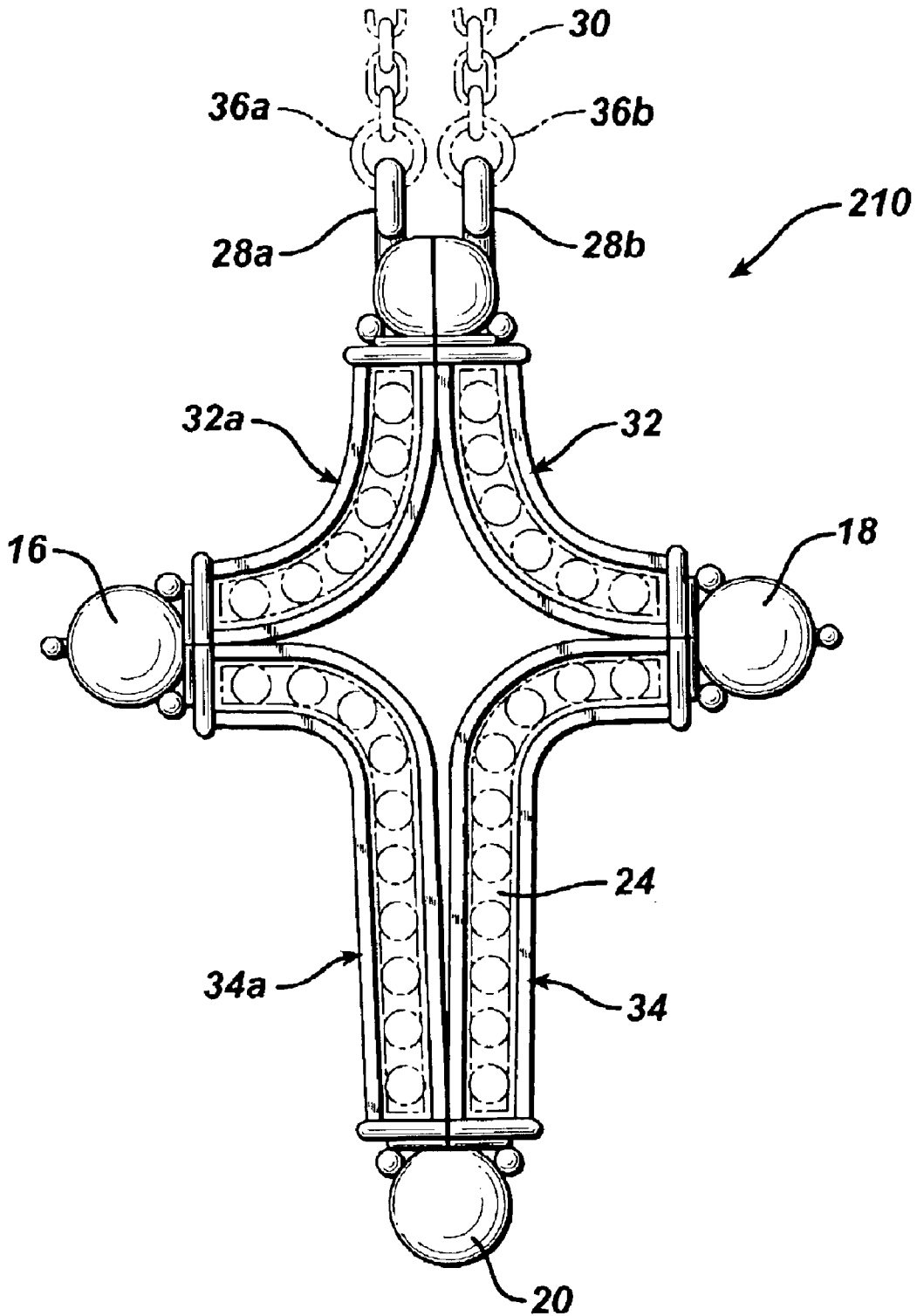
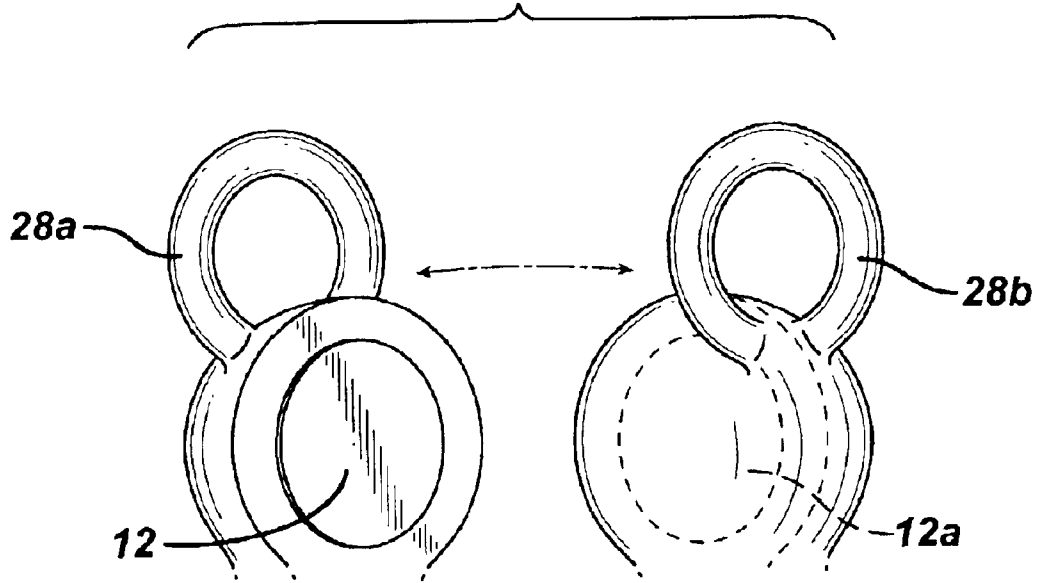


FIG. 9a



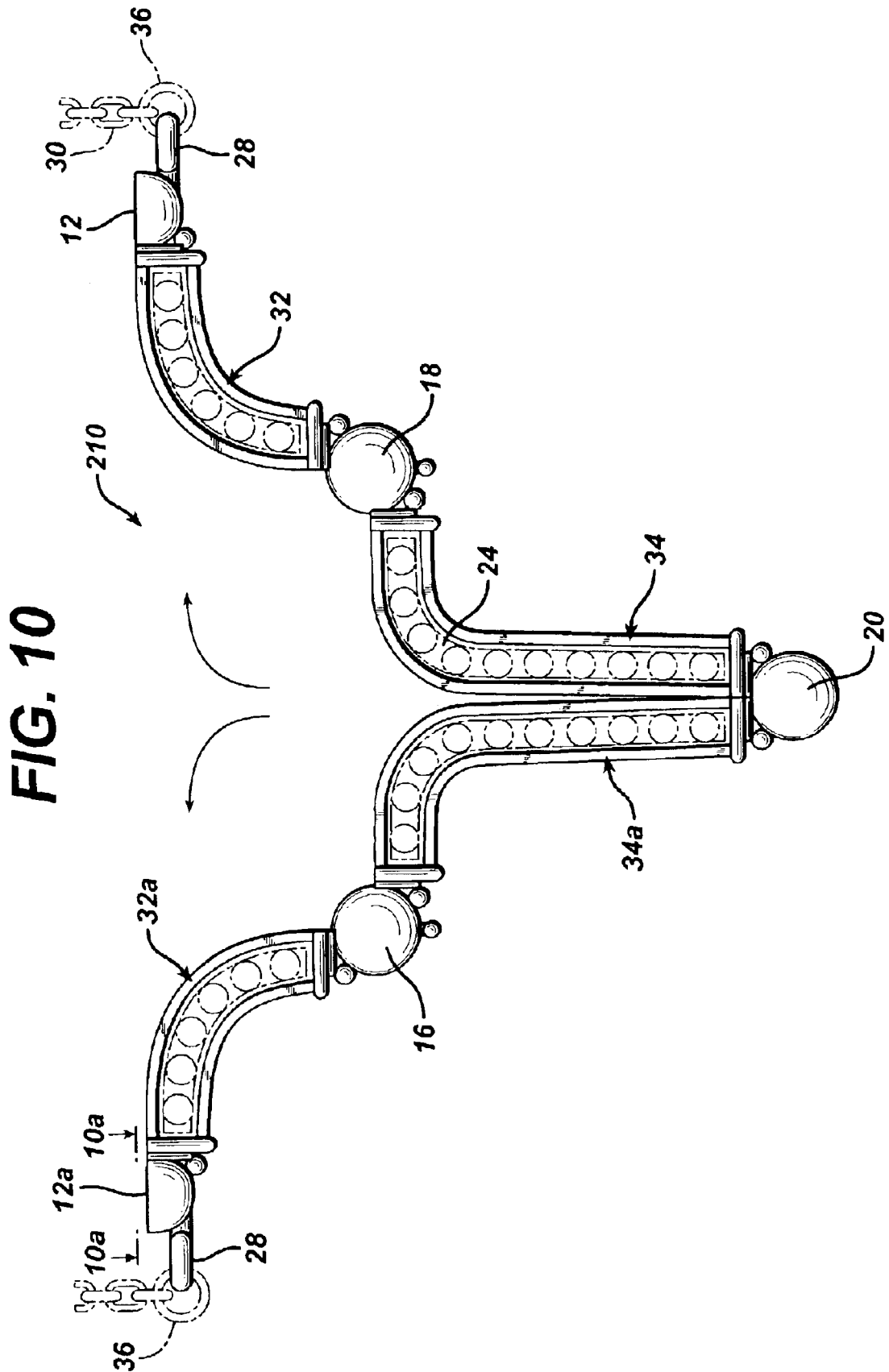


FIG. 12

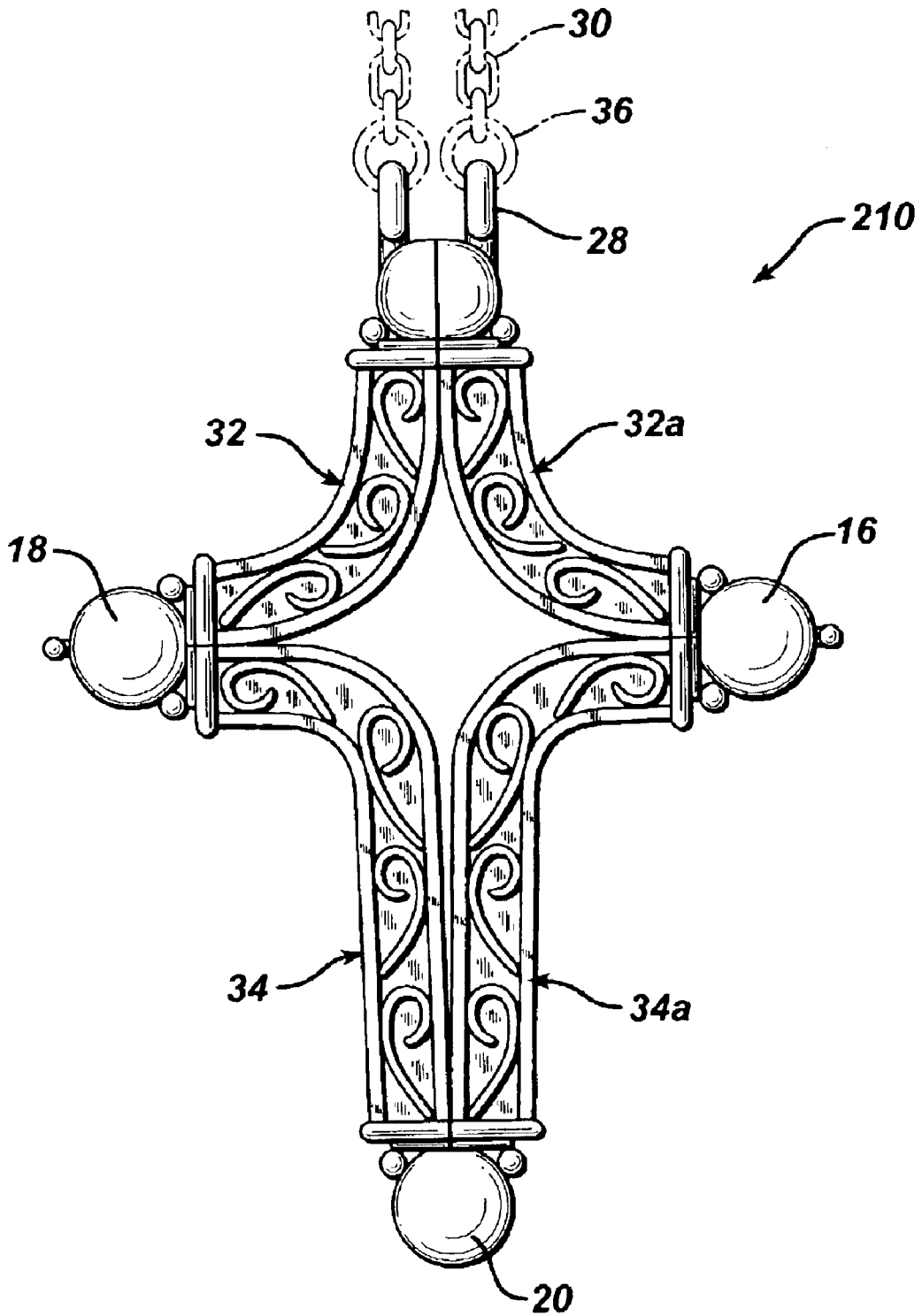


FIG. 13

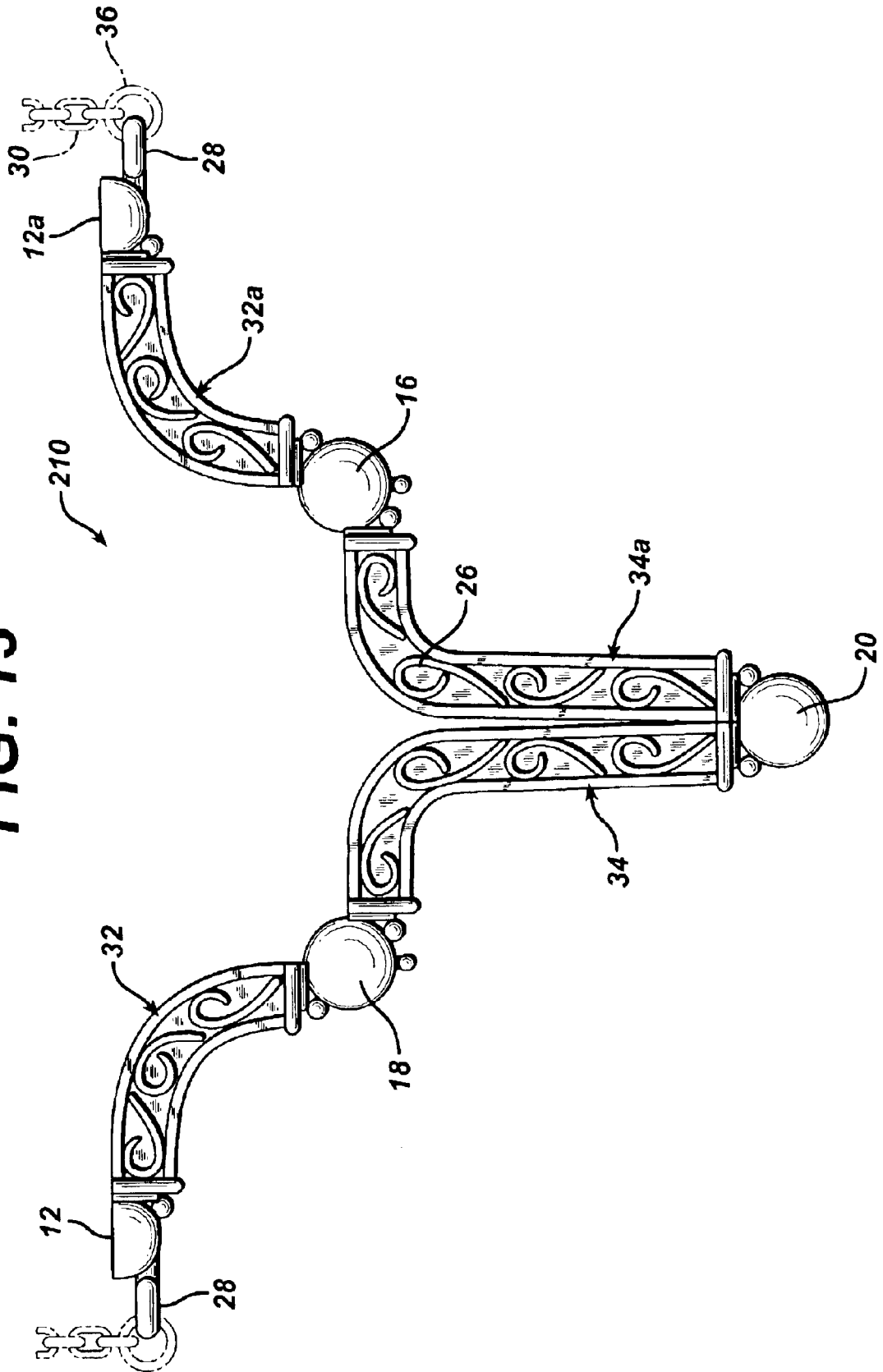
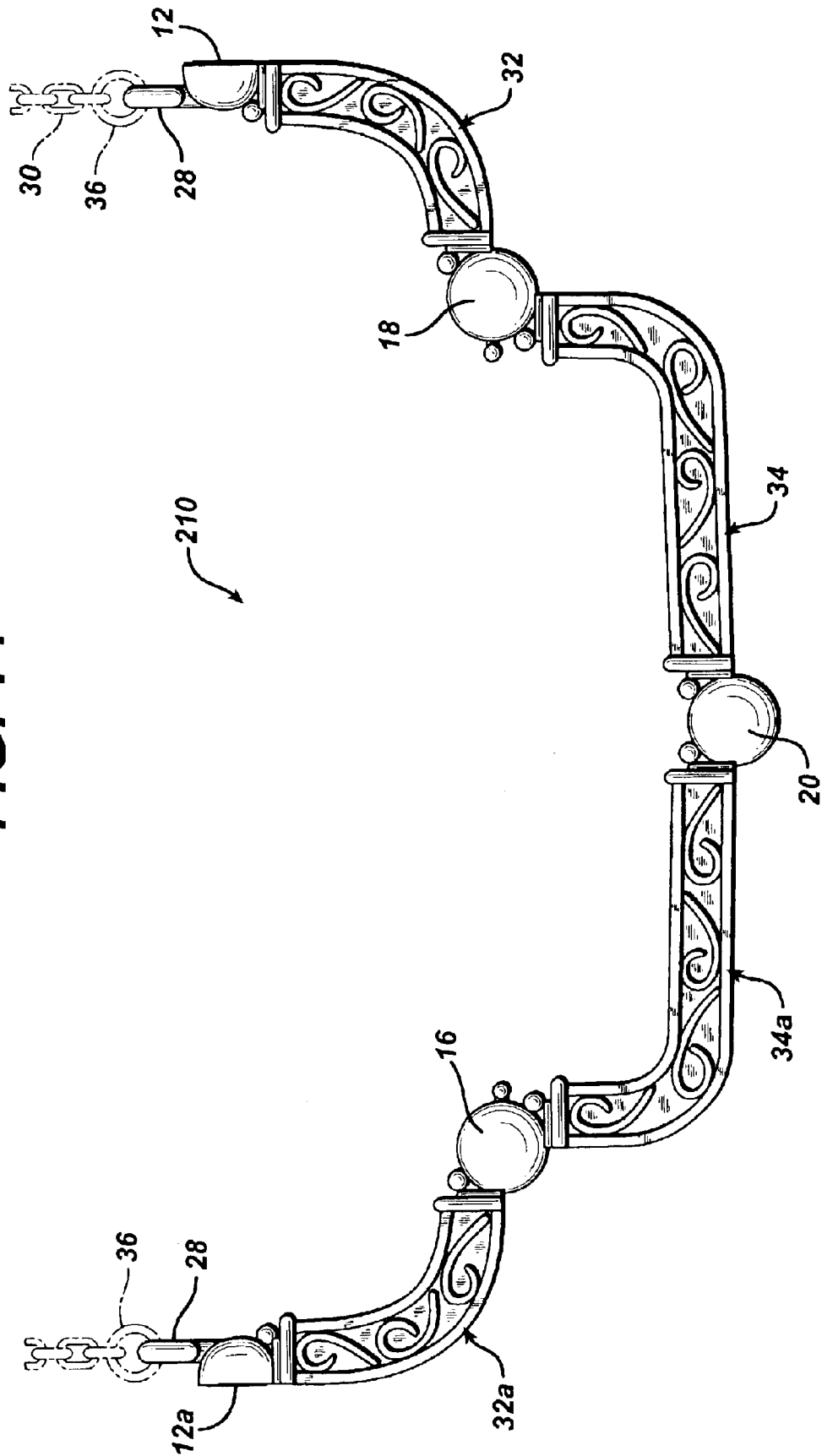


FIG. 14



US 6,789,395 B2

1

CONVERTIBLE PENDANT JEWELRY**RELATED APPLICATIONS**

This application is related to Provisional Application Ser. No. 60/399,281 filed on Jul. 30, 2002 entitled Convertible Pendant Jewelry. The entire disclosure of this provisional application is incorporated herein by reference.

FIELD OF THE INVENTION

This invention relates to a novel pendant jewelry, e.g., a necklace, that can be converted from pendant jewelry of a first configuration to pendant jewelry of a second configuration or even third configuration.

PRIOR ART

Prior art relevant references are:

U.S. Pat. No. 3,381,495 to Emerson describes a convertible emblem that has a plurality of plates pivotally attached at one of the corners and superposed one upon the other. When the plates are closed, they form a framed symbol and when they are spread apart, they form a series of letters associated in meaning with the symbol.

U.S. Pat. No. 1,032,257 to Walrow describes a pendant article of jewelry, in particular a cross made up of two members in pivotal relation with each other at points intermediate of the ends of each, one of the members being provided with a slot through which the other member extends, which can be converted to an elongated article of jewelry. The jewelry hangs from a single eye at the top of the cross.

U.S. Pat. No. 4,718,252 to Fossas describes a balancing means provided as part of an ornament worn around the neck for maintaining an inertial balance and predetermined degree of symmetry about the neck while alleviating or eliminating pressure directly exerted on the neck.

U.S. Pat. No. 4,461,158 to Diehl describes an article of jewelry in the shape of a butterfly or insect that has two attachments, one for each end of a chain or a string. The attachments are fixed to the free ends of rigid wires, the other ends of the wires being fastened to a body of the article of jewelry so they articulate freely with the body.

U.S. Pat. No. 4,334,413 to Gaston et al describes an adjustable necklace that may be assembled rapidly without soldering.

U.S. Pat. No. 4,265,098 to Wayne describes a device for carrying a removable pendant from a chain or necklace which has an aperture into which is inserted the top bar of a T-shaped member which carries the pendant. Means are provided for locking the pendant within the device.

U.S. Pat. No. 4,034,573 to Elkaim describes an ornament which consists of at least two members suspended from a necklace, wristlet or similar retaining member. Each of the two members is movable relative to the retaining member because of a loop or ring affixed to each of the various members and through which the retaining member passes.

Japanese P2000-106924A describes a necklace that is changeable from a large four-sided pendant to a smaller four-sided pendant. The large pendant configuration consists of a central four-sided member surrounded by four adjacent stems meeting the top of the small four-sided pendant to form the large pendant that hangs from a chain member. When the four stems are parted the smaller four-sided pendant drops down and the four stems become part of the chain to form a second smaller pendant configuration.

2

Other references of interest are U.S. Pat. No. Des. 292,180 to Seraile, U.S. Pat. No. Des. 282,727 to Bulgari, U.S. Pat. No. Des. 261,121 to Barr and Des. 216,371 to Winchell.

OBJECTS AND SUMMARY OF INVENTION

An object of this invention is to provide a pendant jewelry, such as a necklace, that can be converted from a pendant jewelry of a first configuration to a pendant jewelry of a second configuration or even third configuration.

Another object of the invention is to provide a pendant jewelry that has a symbolic nature that can be configured into another configuration of pendant jewelry.

The pendant necklace of this invention has a chain having a first end and a second end, a pendant member having a first end and a second end, the pendant member having at least three pendant elements pivotally connected to each other by hinges that permit adjacent elements to pivot about each other in a plane. A pivot stop is associated with each hinge. The first end of the chain is attached to the first end of the pendant member and the second end of the chain is attached to the second end of the pendant member. An attachment means is provided for releasably attaching the first end of the pendant member to the second end of the pendant member. When the first end of the pendant member is attached to the second end of the pendant member, the pendant has a first closed configuration that hangs from the ends of the chain member, e.g., a Star of David, heart or cross. When the first end of the pendant member is released from the second end of the pendant member, adjacent pendant elements pivot about each other in the plane to form a pendant having a second open configuration that hangs from the ends of the chain member. The pendant elements are prevented from pivoting about each other to a predetermined angle by the pivot stops to thereby prevent the first end of the pendant member from contacting the second end of the pendant member to prevent the second open configuration from closing.

BRIEF DESCRIPTION OF THE DRAWINGS

These with other objects and advantages which will become apparent reside in the details of construction and operation as will be more fully described and claimed, reference being made to the accompanying drawings forming a part hereof, wherein like numerals refer to like parts throughout, and in which:

Reference is made to FIGS. 1-14 to assist in understanding this invention.

FIG. 1 is a front view of the convertible pendant jewelry in a first configuration in the shape of the Star of David;

FIG. 2 is a front view of the Star of David convertible pendant jewelry shown in FIG. 1 opened to another configuration;

FIG. 3 is a rear view of the Star of David convertible pendant jewelry configured as in FIG. 1.

FIG. 4 is a rear view of the Star of David convertible pendant jewelry configured as in FIG. 2.

FIG. 5 is a front view of the convertible pendant jewelry in a first configuration in the shape of a heart;

FIG. 5a is an enlarged front view of the hinge when the convertible pendant jewelry in a first configuration as shown in FIG. 5;

FIG. 5b is an enlarged front view of the hinge when the convertible pendant jewelry is in, for example, another configuration as shown in FIG. 6;

US 6,789,395 B2

3

FIG. 5c is an enlarged perspective of the hinge mechanism shown in FIGS. 5a and 5b;

FIG. 6 is a front view of the heart shaped convertible pendant jewelry shown in FIG. 5 opened to another configuration;

FIG. 7 is a rear view of the heart shaped convertible pendant jewelry configured as in FIG. 5;

FIG. 8 is a rear view of the heart shaped convertible pendant jewelry configured as in FIG. 6.

FIG. 9 is a front view of the convertible pendant jewelry in a first configuration in the shape of a cross;

FIG. 9a is an enlarged perspective view showing a magnetic attachment means for releasably attaching the first end of the pendant member to the second end of the pendant member;

FIG. 10 is a front view of the convertible pendant jewelry in the shape of a cross shown in FIG. 9 opened to another configuration

FIG. 11 is a front view of the convertible pendant jewelry in the shape of a cross shown in FIG. 9 opened to a third configuration;

FIG. 12 is a rear view of the convertible pendant jewelry in the shape of a cross configured as in FIG. 9;

FIG. 13 is a rear view of the convertible pendant jewelry in the shape of a cross configured as in FIG. 10; and

FIG. 14 is a rear view of the convertible pendant jewelry in the shape of a cross configured as in FIG. 11.

DETAILED DESCRIPTION OF INVENTION

Referring to FIGS. 1–4, a pendant necklace is depicted having a first configuration of a Star of David 10. In general, a chain member 30 is provided that has a first end 36a and a second end 36b. The pendant member 10 has a first end 28a and a second end 28b, the pendant member 10 comprising five pendant elements 32, 34, 32a, 34a, 23 pivotally connected to each other by hinges 16, 18, 20, 22 that permit adjacent elements to pivot about each other in a plane, the pendant elements comprising a central element 23 being in the shape of a parallelogram with four sides 23a, 23b, 23c, 23d and two angulated elements 32a, 32b on each side of one angle of the central element 23. A pivot stop is associated with each hinge 15a, 15b, 15c, 15d. The first end of the chain 36a is attached to the first end of the pendant member 28a and the second end of the chain 36b is attached to the second end 28b of the pendant member 10.

Attachment means 12, 14 is provided for releasably attaching the first end 28a and second end 28b of the pendant member 10 to adjacent sides 23a, 23b of the central element 23. The attachment means 12, 14 may, for example, comprise mating latches on ends 28a, 28b and sides 23a, 23b or a magnet on, for example ends 28a, 28b. When the first and second ends 28a, 28b of the pendant member 10 are attached to adjacent sides 23a, 23b of the central element 23, each angulated pendant element 32, 32a, 34, 34a contacts a side 23b, 23c, 23a, 23d, respectively, of the central element 23 to form a first closed configuration in the shape of the Star of David that hangs from the ends of the chain member 30. (See FIGS. 1 and 3)

When the first and second ends 28a, 28b of the pendant member are released from the adjacent sides 23b, 23a, respectively, of the central member 23, adjacent pendant elements 23, 32, 32a, 34, 34a pivot about each other in the plane to form a pendant 10 having a second open configuration that hangs from the ends of the chain member 30, with the central element 23 hanging between two angulated

4

elements 32a, 34a, the pendant elements 23, 32, 32a, 34, 34a prevented from pivoting about each other to a predetermined angle by the pivot stops 15a, 15b, 15c, 15d (See FIG. 4) to thereby prevent the first end 28a of the pendant member 10 from contacting the second end 28b of the pendant member 10 to prevent the second open configuration from closing (See FIGS. 2 and 4).

With somewhat more specificity and still referring to FIGS. 1–4, this embodiment of the invention is in the shape of a pendant Star of David 10. The Star 10 is suspended from a chain 30 attached to two sets of attachment rings 28 and 36, one set being attached to angulated articulated member 34 and the other set being attached to angulated articulated member 32. Members 32 and 34 are pivotally attached to angulated articulated members 32a and 34a (respectively) about hinge members 16 and 18 (respectively). Articulated member 32a and 32b are pivotally attached to an apex of diamond shaped member 23, near each other and on hinge members 20 and 22, respectively, that pass through member 23. This is shown in FIGS. 2 and 4.

At the ends of angulated articulated members 32 and 34 are locking members 12 and 14 which lock on to mating locking members 12a and 14b, respectively, that are mounted on or embedded in diamond shaped member 23.

When the locking members 12 and 14 are mated with corresponding locking member 12a and 12b, the Star of David is formed and suspended from chain 30 (FIGS. 1 and 3). When the locking members are detached from each other, the angulated articulated members 32, 32a, 34 and 34a pivot about hinge members 20, 22, 16 and 18 due to the weight of the jewelry and the pendant Star of David is converted to another pendant configuration (FIGS. 2 and 4).

Referring to FIGS. 5–8, a pendant necklace is provided that has a chain member 30 having a first end 36a and a second end 36b. The pendant member 110 has a first end 28a and a second end 28b. The pendant member 110 comprises four curvilinear pendant elements 32, 32a, 34, 34a pivotally connected to each other by hinges 16, 18, 20 that permit adjacent elements to pivot about each other in a plane. A pivot stop 15a, 15b, 15c is associated with each hinge 18, 20, 16, respectively. The first end 36a of the chain 30 is attached to the first end 28a of the pendant member 110 and the second end 36b of the chain 30 is attached to the second end 36b of the pendant member 110.

An attachment means 12, 12a is provided for releasably attaching the first end 28a of the pendant member 110 to the second end 28b of the pendant member 110. The attachment means 12, 12a may, for example, comprise mating latches on each end of the pendant member or a magnetized latch, e.g., similar to that depicted in FIG. 9a, discussed below.

When the first end 28a of the pendant member 110 is attached to the second end 28b of the pendant member 110, the curvilinear pendant elements 32, 32a, 34, 34a form a first closed configuration in the shape of a heart that hangs from the ends of the chain member 30 (FIGS. 5 and 7).

When the first end 28a of the pendant member 110 is released from the second end 28b of the pendant member 110, adjacent pendant elements 32, 32a, 34, 34a pivot about each other in the plane around the hinges 16, 18, 20 (see FIGS. 5a–5c) to form a pendant 110 having a second open configuration that hangs from the ends 36a, 36b of the chain member 30, the pendant elements 32, 32a, 34, 34a prevented from pivoting about each other to a predetermined angle by the pivot stops 15a, 15b, 15c (see FIGS. 6 and 8) to thereby prevent the first end 28a of the pendant member 110 from contacting the second end 28b of the pendant member 110 to prevent the second open configuration from closing FIGS. 6 and 8).

US 6,789,395 B2

5

With somewhat more specificity and still referring to FIGS. 5–8, this embodiment of the invention is in the shape of a pendant Heart 110. The Heart 110 is suspended from a chain 30 attached to two sets of attachment rings 28 and 36, one set being attached to arcuate articulated member 32 and the other set being attached to arcuate articulated member 32a. Members 32 and 32a are pivotally attached to arcuate articulated members 34 and 34a (respectively) about hinge members 16 and 18 (respectively). Arcuate member 34 and 34a are pivotally attached to each other about hinge member 20.

At the ends of arcuate articulated members 32 and 32a are mating locking members 12 and 12a which lock on to each other. When the locking members 12 and 12a are mated with each other a Heart shaped pendant is formed and suspended from chain 30. When the locking members are detached from each other, the arcuate articulated members 32, 32a, 34 and 34a pivot about hinge members 20, 16 and 18 due to the weight of the jewelry and the pendant Heart is converted to another pendant configuration, see FIGS. 6 and 8.

Referring to FIGS. 9–14, a pendant necklace is provided that has a chain member 30 having a first end 36a and a second end 36b. A pendant member 210 has a first end 28a and a second end 28b, the pendant member 210 comprising four arcuate pendant elements 32, 32a, 34, 34a pivotally connected to each other by hinges 16, 18, 20 that permit adjacent elements to pivot about each other in a plane. A pivot stop 15a, 15b, 15c is associated with each hinge 16, 18, 20.

The first end 36a of the chain 30 is attached to the first end 28a of the pendant member 210 and the second end 36a of the chain 30 is attached to the second end 28b of the pendant member 210. An attachment means 12, 12a is provided for releasably attaching the first end 28a of the pendant member 210 to the second end 28b of the pendant member 210. The attachment means 12, 12a may, for example, comprise mating latches on each end of the pendant member or a magnetized latch.

When the first end 28a of the pendant member 210 is attached to the second end 28b of the pendant member 210, the arcuate pendant elements 32, 32a, 34, 34a form a first closed configuration in the shape of a cross that hangs from the ends 36a, 36b of the chain member 30. (FIGS. 9 and 12)

When the first end 28a of the pendant member 210 is released from the second end 28b of the pendant member 210, adjacent pendant elements 32, 32a, 34, 34a pivot about each other in the plane to form a pendant 210 having a second open configuration that hangs from the ends 36a, 36b of the chain member 30, the pendant elements 32, 32a, 34, 34a prevented from pivoting about each other to a predetermined angle by the pivot stops 15a, 15b, 15c to thereby prevent the first end 28a of the pendant member 210 from contacting the second end 28b of the pendant member 210 to prevent the second open configuration from closing. (FIGS. 10, 11, 13 and 14.)

With somewhat more specificity and referring to FIGS. 9–14, this embodiment of the invention is in the shape of a pendant Cross 210. The Cross 210 is suspended from a chain 30 attached to two sets attachment rings 28 and 36, one set being attached to arcuate articulated member 32 and the other being attached to arcuate articulated member 32a. Members 32 and 32a are pivotally attached to arcuate articulated members 34 and 34a (respectively) about hinge members 16 and 18 (respectively). Arcuate member 34 and 34a are pivotally attached to each other about hinge member 20.

6

At the ends of arcuate articulated members 32 and 32a are mating locking members 12 and 12a which lock on to each other. When the locking members 12 and 12a are mated with each other a Cross shaped pendant is formed and suspended from chain 30. When the locking members are detached from each other, the arcuate articulated members 32, 32a, 34 and 34a pivot about hinge members 16, 18, 20 due to the weight of the jewelry and the pendant Cross is converted to another pendant configuration, see FIGS. 10 and 13 or yet another configuration as shown in FIGS. 11 and 14. The locking members may be latches, for example as depicted in FIGS. 2 and 4, elements 12 and 14 or magnetic as depicted in FIG. 9a with element 12 and 12a being magnetically attracted to each other.

The description of invention herein makes reference to several preferred embodiments. Those skilled in the art, however, and familiar with the disclosure of the subject invention, may recognize additions, deletions, substitutions, modifications, and/or other changes which will fall within the purview of the invention as defined in the following claims.

What is claimed is:

1. A pendant jewelry, comprising a chain member having a first end and a second end: a pendent member having a first end and a second end and comprising a plurality of pendent elements pivotally connected to each other by hinges that permit adjacent elements to pivot about each other in a plane; wherein the first end of the chain is attached to the first end of the pendent member and the second end of the chain is attached to the second end of the pendent member; means for releasably connecting the chain member to the pendent member; a pivot stop associated with each hinge, said stop extending laterally from a respective one of said pendent elements; attachment means; wherein the pendent elements of the pendent member are formed so that they can form the pendent member with a first closed configuration that hangs from the ends of the chain members and is fixed by said attachment means, and the pendent elements can pivot about each other in the plane to form the pendent member having a second open configuration that hangs from the ends of the chain member and the pendent elements are stopped and prevented from pivoting about each other to a predetermined angle by the pivot stops.

2. A pendant jewelry as defined in claim 1, wherein the pendent elements are formed so that when the first end of the pendent member is attached to the second end of the pendent member, the pendent member has the first closed configuration, and when the first end of the pendent member is released from the second end of the pendent member the pendent elements pivot about each other to form the second open configuration with the pivot stops preventing the first end of the pendent member from contacting the second end of the pendent member to prevent the second open configuration from closing.

3. A pendant jewelry as defined in claim 1, wherein the attachment means comprises mating latches at each end of the pendent member.

4. A pendant jewelry as defined in claim 1, wherein the attachment means comprises a magnetized latch.

5. A pendant jewelry as defined in claim 1, wherein the pendent members comprises include at least three pendent elements.

6. A pendant jewelry as defined in claim 1, wherein the attachment means is formed to releasably attach the first end of the pendent member to the second end of the pendent member.

7. A pendant jewelry as defined in claim 1, wherein the plurality of the pendent elements of the pendent member

US 6,789,395 B2

7

include five pendent elements pivotally connected to each other by the hinges with a central element shaped as a parallelogram with four sides and two angulated elements on each side of one angle of the central element including a first angulated element pivotally connected with said central element and a second angulated pendant element pivotally connected with said first angulated element; wherein in the closed configuration, each angulated element contacts a side of the central element in two points to form the first closed configuration in the shape of a star of David that hangs from the end of the chain member and the attaching means are provided on each of the second angulated elements and on the central element; and in the second open configuration the central element hangs between the two first angulated elements.

8. A pendent jewelry as defined in claim 7, wherein the central element is in the shape of a parallelogram with four sides including two upper sides and two lower sides, so that in the closed configuration the first angulated elements are associated with the upper sides and the second angulated elements are associated with the lower sides of the central element, and the attachment means are provided on each of the second angulated elements and on the lower sides of the central element.

9. A pendent jewelry as defined in claim 1, wherein the plurality of the pendent elements include four arcuate elements with two first arcuate elements pivotally connected with one another and two second arcuate elements each pivotally connected to a respective one of the first arcuate elements and said second elements are further connected with the first and second ends of the chain member, so that

8

in the closed configuration first portions of first arcuate elements extend substantially parallel and close to one another, first portions of the second arcuate elements also extend substantially parallel and close to one another and form continuations of the first portions of the first arcuate elements, and the second portions of the first arcuate elements and the second portions of the second arcuate elements extend substantially parallel and close to one another and form continuations of each other, while in one open configuration the first portions of the first arcuate elements extend substantially vertically and parallel and close to one another, the second portions of the first arcuate elements extend substantially horizontally and transversely to the first portions of the first arcuate elements, the second portions of the second arcuate elements extend substantially vertically and transversely to the second portions of the first arcuate elements, and the first portions of the second arcuate elements extend substantially horizontally and transversely to the second portions of the second arcuate elements, while in a further open configuration the first portions of the first arcuate elements extend substantially horizontally away from one another, the second portions of the first elements extend substantially vertically from the first portions of the first arcuate pendent elements, the second portions of the second arcuate pendent elements extend substantially horizontally away from the second portions of the first arcuate elements, and the first portions of the second arcuate elements extend substantially vertically and transversely to the second portions of the second arcuate elements.

* * * * *

there's no place like...



hsn shopping bar
[learn more](#) | [download now](#)

[shopping cart](#) | [order status](#) | [customer service](#) | [my account](#) | [bulletin boards](#) | [wish list](#) | [sign in](#)

[Jewelry](#) [Fashion](#) [Beauty](#) [Health & Fitness](#) [For the Home](#) [Kitchen & Dining](#) [Electronics](#) [Crafts & Sewing](#) [Toys](#) [Customer Picks](#) [Clearance](#)

Search HSN.com [GO](#)

today's special

[HSN](#)

1.08ct Ruby and Diamond Convertible Heart 14K White Gold 18" Necklace - Item: 646-756



Price: \$199.00

Shipping & Handling: \$5.95

SOLD OUT
[See all Gemstones](#)

[Gemstones](#)

MORE CHOICES



[.23ct Diamond Round 14K Stud Earrings](#)

Sale Price: \$139.00

[Zoom/Larger Image](#) | [More Views](#)

[Email to a Friend](#)

Product Description

Create a breathtaking moment with this **ruby and diamond convertible heart 14K white gold necklace**. Delightfully feminine, four open 14K white gold hearts take center stage in this dainty design. Alternating hearts feature either rich red pavé-set round Thai rubies (approx. 1.5mm, .85ct) or shimmering round diamonds (approx. .23ct). The hearts can be worn in an extended row or folded together to create a clustered clover, which is held in place by hidden magnets.

A fine 14K white gold cable chain necklace completes the design beautifully. It fastens securely using a spring ring clasp. Other details about this *14K diamond and ruby necklace* include:

- Approx. 1.08ct
- Hearts open measure approx. 7/16"L x 2"W
- Hearts closed measure approx. 13/16"L x 13/16"W
- Necklace measures approx. 18"L x 1/16"W
- Stamped 14K
- Made in the USA
- Boxed

[Company Information](#) | [Program Guide](#) | [Show Hosts](#) | [FAQs](#) | [Customer Service](#) | [Return Policy](#) | [Contact Us](#) | [Careers at HSN](#) | [Site Map](#)

[HSN Charge Card](#) | [HSN Rewards Visa Card](#) | [Gift Cards](#) | [Become an Affiliate](#)
[Shopping Tips and Guides](#) | [Conditions of Use](#) | [Privacy Policy](#) | [Security](#) | [Product Safety Information](#)

Copyright © 1999 – 2007 HSN Interactive LLC.
HSN and HSN.com are registered trademarks of HSN LP

Partner Sites: [Ballard Designs](#) | [Garnet Hill](#) | [Improvements Catalog](#) | [IOS Catalog](#)
[Territory Ahead](#) | [Window Improvements](#) | [Shoes](#) | [Expedia](#) | [Hotels](#) | [Hotwire](#)

[Larger Image](#)

[More Views](#)



Select image below for a larger view.

